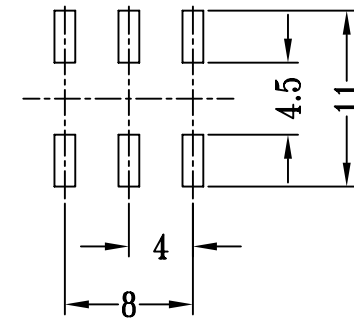
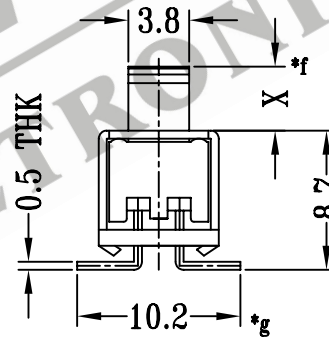
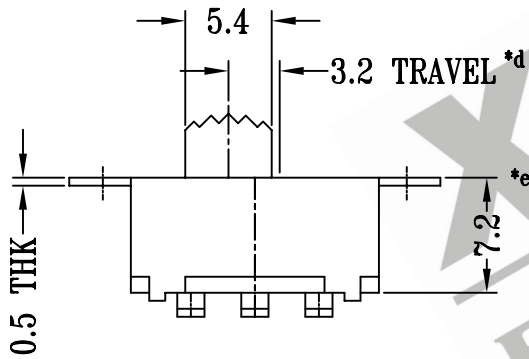
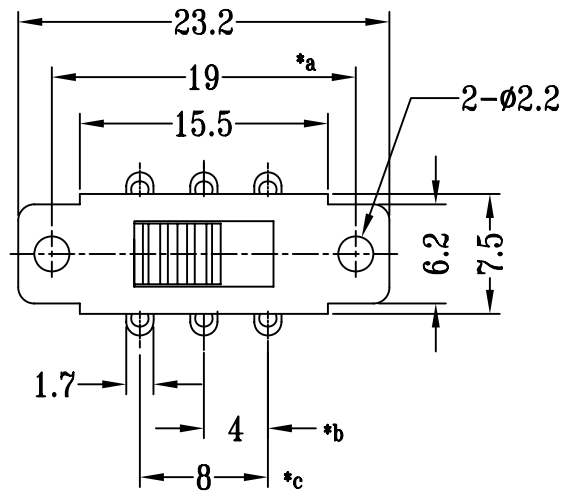


CAD FILE:



SCHEMATIC (NON-SHORTING)

P.C.B LAYOUT

注:带"*"表示关键尺寸(7个)

NO.	PART NAME	MATERIAL	Q'TY	FINISHING	TOLERANCE UNLESS SPECIFIED	SHENZHEN XIEJIA ELECTRONICS CO.,LTD.					
8						TITLE : VERTICAL SLIDE SWITCH MODEL: SS-22F35 ALL MATERIALS MUST BE COMPLIANT TO ROHS					
7											
6	SPRING	STEEL WIRE	2	TEMPER	WITHIN: 1.5±0.1mm OVER : 1.5±0.2mm	ISSUE	DATE	DESCRIPTIONS		APPD.	
5	CONTACT CLIP	BRASS STRIP	2	Ag PLATED				DRWG NO.: XJ-DR-SS22F35-00			
4	TERMINAL	BRASS STRIP	6	Ag PLATED OVER Ni PLATED				DWN.	ZHOUYU	2005-7-28	
3	BASE	PHENOLIC RESIN	1	BLACK				SCALE: 2 : 1	CHK'D	FANGYING	2005-7-28
2	FRAME	STEEL STRIP	1	BLACK				APPD.	KANGXINAN	2005-7-28	
1	KNOB	POM	1	BLACK							